

TiLite AERO X Order Form

Effective July 6, 2019 (New Items in Red)

FOLDING FRAME

Page 1 of 7

DEALER INFORMATION		RTS INFORMATION		
Dealer:	Account #:	RTS:	Phone:	
PO:	Ordered By:	Email:		
Email:		SHIP TO INFORMATION		
Mark For:	User Weight:	Name:	Ship Via:	
TiLite Sales Rep:		Address:		
TiLite Information:	Promo Code:	City:	State:	Zip:
Ship Date:	Order #:	Phone:	Fax:	

More options and frame modifications may be available through our Creative Mobility Division! Please contact customer service for details or [click here](#) to view options.

Please Email or Fax to the Permobil Manual Customer Service Team at tilitesales@permobil.com or 866.586.2413 / 509.586.2413

FRAME STYLE

- AXFS1 **Aero X Aluminum Frame** (Full Adjustability. 265 Pound Weight Limit.)..... **\$2,390** K0005
- G2FS1 **2GX Titanium Frame Upgrade** (Full Adjustability. 265 Pound Weight Limit. Light Weight, High Strength and Vibration Dampening. Not Available with Frame Transit Tie-Down.)..... **\$1,875**
- XFS1 **Swing Away**..... **STD** K0005
- XFS3 **Hemi Height Frame** (Available with a Front Seat Height of 13.5" - 20" (34-51cm). Not Available with Depth Adjustable Back/Frame, 12" or 13" Seat Depth or Heavy Duty Frame.)..... **NCO**
- XFS2 **Fixed Front**..... **NCO** K0005
- XHDR1 **Heavy Duty Frame (350 Pound Weight Limit)**. Includes Tension Adjustable by Straps Back Upholstery. Available with 18" to 22" Seat Widths and 16" to 20" Seat Depths. Not Available with 90° front end.)..... **\$435**
- XPWR1 **Power Adaptable Frame** (No charge when 20" Rear Seat Width **A** and 20" Seat Depth **B** are selected. Requires LiteSpeed Billet Aluminum Front Wheels and 0 degree Camber. Not available with Single-Sided Forks.)..... **\$340**
- XRFR1 **Reinforced Frame** (No charge when 20" Rear Seat Width and 20" Seat Depth are selected.)..... **\$340**

SMARTDRIVE POWER ASSIST SYSTEM



- XMAXSD1 **Permobil Smart Drive MX2+** (SwitchControl comes standard. Not available with rear seat heights less than 13.5")..... **\$7,131** E0986
- XMAXSD6 **NEW PushTracker E2** OR XMAXSD7 **PushTracker**..... **NCO**
- XMAXSD8 **SwitchControl Button with Mono Jack Option**..... **\$150**
- XMAXSD4 **Carrying Bag**..... **\$78**

TRANSIT OPTIONS

- XTTDO1 **Aluminum Frame Transit Tie-Down** (Consists of four Tie-Down Brackets. Not Available with 2GX2, Heavy Duty Frame, Hemi Height Frame, Swing Away Tubular Armrests or Swing Away- Flip Back Tubular Armrests. Requires a Folding Stabilizer Bar unless a Depth Adjustable Backrest is selected. Requires minimum seat depth of 14". Please refer to the Aero X Transit Tie-Down Option Brochure for important information regarding the Transit Tie-Down Options.)..... **\$335**
- XWTB **Transport Bracket Option** (Consists of four Tie-Down Brackets. Unoccupied Use Only.) (Not Available when Swing Away frame and Heavy Duty Frame are both selected. Not available with Swing Away Tubular Armrest or Swing Away-Flip Back Tubular Armrests. Requires a minimum seat depth of 14" or 15" seat Depth with Hemi Height Frame.)..... **\$350**

FRAME FINISHES

Natural Finishes

- XFF1 **Satin** (Available with Titanium Frame only.)..... **STD**
- XSCBT1 **Satin Finish Buffing Pads**..... **\$20**
- XFF3 **Tattoos** (Tattoos on front frame tubes. Titanium frame finished in Satin. Aluminum frame tattooed in blasted aluminum with clear coat. Tattoos will be trimmed and adjusted to fit your frame.)..... **\$335**

XFF45 **Need For Speed**

XFF44 **Flower Garden**



XFF43 **Mosaic**



- | | | | |
|-----------------------------|--|---|---|
| High Gloss Paint | <input type="checkbox"/> TFF8 Super Wet Black | <input type="checkbox"/> TFF10 TiLite Red | <input type="checkbox"/> TFF29 Neon Pink |
| Metallic Paint | <input type="checkbox"/> TFF14 Ocean Blue Metallic | <input type="checkbox"/> TFF15 Tangerine Metallic | <input type="checkbox"/> TFF30 Acid Green Metallic |
| Pearlescent Paint | <input type="checkbox"/> TFF17 Midnight Blue Pearl | <input type="checkbox"/> TFF18 White Pearl | |
| Matte Paint | <input type="checkbox"/> TFF19 Black Lava | <input type="checkbox"/> TFF27 Titanium Grey | |
| Candy Paint | <input type="checkbox"/> TFF22 Ruby Red | <input type="checkbox"/> TFF23 Azure Blue | <input type="checkbox"/> TFF25 Electric Plum |
| Matte Textured Paint | <input type="checkbox"/> TFF40 Hyper Blue | <input type="checkbox"/> TFF41 Flame Orange | <input type="checkbox"/> TFF42 OD Green..... STD |



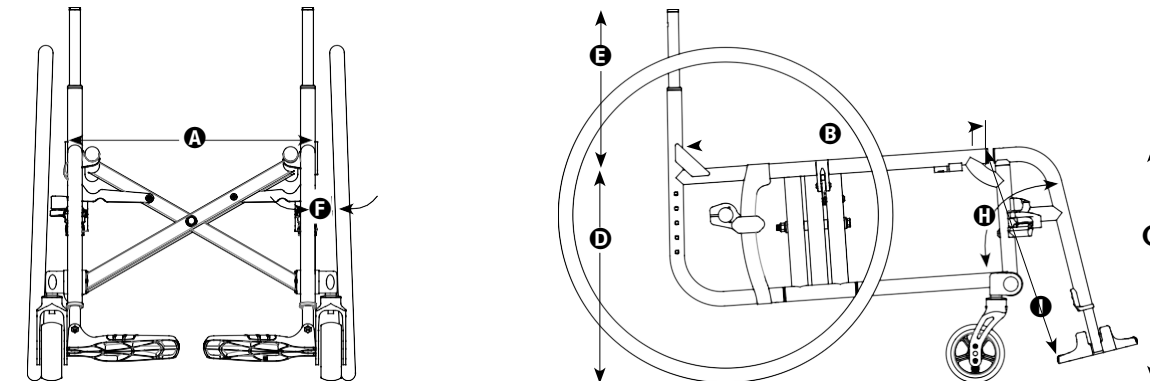
Permobil.com
 2701 West Court Street | Pasco, Washington 99301
 509.586.6117 Tel | 800.545.2266 Toll-Free
 509.586.2413 Fax | 866.586.2413 Toll-Free Fax

TiLite AEROX Order Form

FRAME MEASUREMENTS

SEAT WIDTH A Measure from outside of seat tube at back post to the outside of the opposite seat tube at back post.

- XSW1 12" 13" 14" 15" 16" 17" 18" 19" **STD**
 XSW2 20" 21" 22" (21" and 22" Seat Widths A are only available with Heavy Duty Frame.) **\$495 E2201**



SEAT DEPTH B Measure from 1/2" in front of back post to the front edge of seat sling. (12"-14" Seat Depths B not available with 25" (559) and 26" (560) Rear Wheels.)

- XSD1 12" 13" 14" 15" 16" 17" 18" 19" **STD**
 XSD2 20" **\$525 E2203**
 XSD3 Custom Frame Depth: _____" Frame Depth Longer Than Seat Depth (Use 1" increments with a maximum of 2". A Custom Frame Depth with a maximum of 20" is \$475.) **NCO**

FRONT SEAT HEIGHT C Measure from floor to top of seat tube at front edge of seat sling. Adjustable in 1/2" increments. (13.5" - 14" Front Seat Height C requires Hemi Height Frame Style. 20.5" - 21.5" Front Seat Height C not available with Hemi Height Frame Style.)

FRONT SEAT HEIGHT RANGES

Front Wheel Size	Front Seat Height C	Hemi Front Seat Height C
3" Front Wheel	14.5" - 18.5"	13.5" - 17.5"
3" Front Wheel w/ Glide™	16.5" - 17.5"	15.0" - 17.0"
4" Front Wheel	15.5" - 19.0"	14.5" - 18.0"
4" Front Wheel w/ Glide™	17.0" - 18.0"	15.5" - 17.0"
5" Front Wheel	16.5" - 19.5"	16.0" - 18.5"
5" Front Wheel w/ Glide™	17.5" - 18.5"	16.5" - 18.0"
6" Front Wheel	17.5" - 20.0"	16.5" - 19.0"
6" Front Wheel w/ Glide™	19.0"	17.5" - 18.0"
8" Front Wheel	19.5" - 21.0"	18.5" - 19.5"

- XFSH1 13.5" 14" 14.5" 15" 15.5" 16" 16.5" 17.0" 16.5" 16.5" 17.0" 17.5" 18.0" 18.5" 19.0" 19.5" 20.0" 20.5" 21.0" **NCO**

REAR SEAT HEIGHT D Measure from floor to top of seat tube at back post. Adjustable in 3/8" increments.

Rear Wheel Size	Rear Seat Height
22"	13.0" - 18.0"
24"	14.0" - 19.0"
25"	14.0" - 19.0"
26"	15.0" - 20.0"

- XRSH1 13" 13.5" 14" 14.5" 15" 15.5" 16" 16.5" 17" 17.5" 18" 18.5" 19" 19.5" 20" **NCO**

BACK SUPPORTS

- SSH3 Back Support Installation Install Back OR Do Not Install Back **NCO**

ROHO® AGILITY® BACK SUPPORT MIN CONTOUR (Comes standard with quick release hardware.)

- Shell Height** 10" 13" 16" 18"
 BRS5 Foam **\$510 E2611**
 BRS6 Foam + Lumbar **\$615 E2613**
 BRS7 Foam w/ Air Insert **\$720 E2620**
 BRS8 Foam w/ Air Insert + Lumbar **\$720 E2615**

ROHO® AGILITY® BACK SUPPORT MID CONTOUR (Comes standard with quick release hardware.)

- Shell Height** 10" 13" 16" 18"
 BRS9 Foam w/ Air Insert **\$730 E2620**
 BRS10 Foam w/ Air Insert + Lumbar **\$730 E2615**

TiLite AEROX Order Form

BACK SUPPORTS

COMFORT ACTA-EMBRACE™

Shell Height 10" 12" 14" 16"

SBR516 Acta-Embrace Back with 2-PT Quick Release Compass Hardware.....\$560 E2613

CPSB1 Comfort Privacy Shield.....\$40

COMFORT ACTA-RELIEF

Shell Height 10" 12" 14" 16"

SBR513 Acta-Relief Back with 2-PT Quick Release Compass Hardware.....\$730 E2615

CPSB1 Comfort Privacy Shield.....\$40

SEAT BACK HEIGHT ③/SEAT BACK/PUSH HANDLES Measure from top of back post to top of seat tube at rear of frame.

SEAT BACK TYPE

XSB13 Fixed Angle, Adjustable-Height Seat Back.....STD

XLB1 Folding Stabilizer Bar (Required with Transit Tie-Down Option unless Depth Adjustable Backrest is selected. Includes Tension Adjustable by Strap Back Upholstery.).....\$390

XSB14 Fixed Angle, Adjustable Height Seat Back w/8-Degree Bend. (Not available with Heavy Duty Frame.).....NCO

XSB18 Folding Adjustable-Angle and Height Seat Back (Not available with Heavy Duty Frame or Ride Designs® Corbac™.).....\$230

XSB16 Depth Adjustable Back/Frame (Not Available with Hemi Height Frame, Heavy Duty Frame, 19" or 20" Seat Depths ③, Swing Away Tubular or Swing Away Flip-Back Armrest. Seat Depths ③ of 12"-17" allow 3" of rearward adjustment. Seat Depth ③ of 18" allow 2" of rearward adjustment. Requires Tension Adjustable Seat Upholstery.).....NCO

PUSH HANDLES

XSB6 Integrated Push Handles.....NCO

XSB7 Integrated Fold-Down Push Handles (Requires Tension Adjustable by Straps Back Upholstery. Not available with Heavy Duty Frame.).....\$115

XSB9 Bolt-On Height Adjustable Push Handles (Requires Tension Adjustable by Straps Back Upholstery. Not available with Heavy Duty Frame, Folding Adjustable-Angle and Height Seat Back, Swing Away Tubular Armrests or Swing Away - Flip Back Tubular Armrests.).....\$335

XSB20/XSB14 **FIXED ANGLE ADJUSTABLE SEAT BACK HEIGHT ③** (11"- 15" Fixed Seat Back Height not available with Heavy Duty Frame, Swing Away Tubular Arms 12"-15", Bolt-On Height Adjustable Push Handles or Folding Stabilizer Bar.)

Push Handles

(Selected on Pg. 2)

	Short	Tall	Set at: (Use 1" Increments)
None	<input type="checkbox"/> 11.0" - 15.0"	<input type="checkbox"/> 16" - 20"	Set at: _____
Integrated	<input type="checkbox"/> 11.0" - 15.0"	<input type="checkbox"/> 16" - 20"	Set at: _____
Integrated Fold-Down	<input type="checkbox"/> 11.0" - 15.0"	<input type="checkbox"/> 16" - 20"	Set at: _____
Bolt-On Height Adj.	-----	<input type="checkbox"/> 16" - 20"	Set at: _____

XSB18 **FOLDING ADJUSTABLE- ANGLE AND HEIGHT SEAT BACK ③** (Not available with a Folding Stabilizer Bar or Heavy Duty Frame)

Push Handles

(Selected on Pg. 2)

	Short	Medium	Tall	Set at: (Use 1" Increments)
None	<input type="checkbox"/> 11.0" - 13.0"	<input type="checkbox"/> 13.5" - 16.5"	<input type="checkbox"/> 16.5" - 19.5"	Set at: _____
Integrated	<input type="checkbox"/> 12.5" - 14.5"	<input type="checkbox"/> 13.5" - 16.5"	<input type="checkbox"/> 17.0" - 19.5"	Set at: _____
Integrated Fold-Down	<input type="checkbox"/> 15.0" - 17.0"	<input type="checkbox"/> 16.0" - 19.0"	<input type="checkbox"/> 18.5" - 20.5"	Set at: _____

FRAME MEASUREMENTS

CAMBER ④

XCBR8 0° 2° 4° 6°.....STD

FRONT ANGLE ⑤ Front Angle ⑤ is measured from inside of front frame tube to top of bottom frame tube.

Swing Away Front End

XFA3 70° 80° 85° (Not available with 6" Front Wheels.) 90° (Requires aluminum footplate. Not available with Heavy Duty Frame, 5" or 6" Front Wheels.).....STD

XFA0 Omit Hangers.....NCO

Fixed Front End

XFA6 70° 80° 85° (85° Not available with 6" Front Wheels.).....STD

SEAT TO FOOTREST ⑥/FOOTRESTS Measure from front edge of seat sling to top rear of footrest.

If your Front Angle ⑤ is 70°, 80°, OR 85° select one Seat to Footrest ⑥ length and one Footrest type:

Standard Footrests Measurement must be at least 2" shorter than Front Seat Height ③. 70° Fixed Front has a minimum seat to footrest of 14.5"

14" 14.5" 15" 15.5" 16" 16.5" 17" 17.5" 18" 18.5" 19" 19.5" 20"

XFTR5 Flip-up Footrest.....STD

XFTR9 Depth Adjustable Flip-up Footrest.....\$110 K0045

XFTR10 Depth & Angle Adjustable Flip-up Footrest (Available for 15"- 20" Seat to Footrest ⑥ only.).....\$270 K0040, K0045

XFTR11 Angle Adjustable Flip-up Footrest (Available for 15"- 20" Seat to Footrest ⑥ only.).....\$170 K0040, K0045

High Mount Footrests (Not Available with Luggage Carriers, or Impact Guards.)

7" 7.5" 8" 8.5" 9" 9.5" 10" 10.5" 11" 11.5" 12" 12.5" 13" 13.5" 14" 14.5"

XFTR20 High Mount Flip-up.....\$190 K0037

XFTR15 Angle Adjustable High Mount Flip-up Footrest.....\$325 K0040, K0037

XFTR16 Depth & Angle Adjustable High Mount Flip-up Footrest.....\$375 K0040, K0037

TiLite AEROX Order Form

Effective July 6, 2019 (New Items in Red)

FOLDING FRAME

Page 4 of 7

CUSTOM CONFIGURATION OPTIONS

Elevating Leg Rest

14" 15" 16" 17" 18" 19" 20" 21"

XFA5 Single Depth Adjustable Flip-up Footrest - Left OR Right.....\$170

XFTR17 Depth Adjustable Flip-up Footrest - Pair.....\$315

If your Front Angle Θ is 90°, select one Seat to Footrest Θ length and one Footrest type:

7" 8" 9" 10" 11" 12" 13"

XFTR5 Flip-up Footrest.....STD

XFTR9 Depth Adjustable Flip-up Footrest.....\$110

XFTR10 Depth & Angle Adjustable Flip-up Footrest.....\$270

XHLP1 Heel Loops (Not available with 13" or narrower Seat Width Θ or 1-Piece Footrests.).....\$50

K0037
K0040, K0037
E0951

FRONT WHEELS (See Front Seat Height Ranges Chart on Page 2 for Front Seat Height Θ limitations.)

XFW24 3"x1.5" LiteSpeed Billet Aluminum Wheel w/Soft Roll Tire Silver Hub OR Black Hub.....\$190

XFW14 4"x.75" Plastic Wheel w/Poly Tire (Not available with Power Adaptable Frame or Heavy Duty Frame).....NCO

XFW3 4"x.75" Light-Up Micro-Caster (Not available with Power Adaptable Frame or Heavy Duty Frame.).....\$80

XFW26 4"x1.5" LiteSpeed Plastic Wheel w/Soft Roll Tire (Not available with Power Assist, Power Add-on System or Heavy Duty Frame.).....\$95

XFW27 4"x1.5" LiteSpeed Billet Aluminum Wheel w/Soft Roll Tire Silver Hub OR Black Hub.....\$200

XFW6 5"x1" Plastic Wheel w/Poly Tire (Not available with Power Adaptable Frame, Heavy Duty Frame or with 90° Front Angle Θ .).....NCO

XFW28 5"x1.5" LiteSpeed Plastic Wheel w/Soft Roll Tire (Not available with Power Adaptable Frame, Heavy Duty Frame or 90° Front Angle Θ .).....\$95

XFW30 5"x1.5" LiteSpeed Billet Aluminum Wheel w/Soft Roll Tire Silver Hub OR Black Hub (Not available with 90° Front Angle Θ .).....\$215

XFW9 6"x1" Plastic Wheel w/Poly Tire (Not available with Power Adaptable Frame, Heavy Duty Frame or 85° or 90° Front Angle Θ .).....NCO

XFW32 6"x1.5" LiteSpeed Plastic Wheel w/Soft Roll Tire (Not available with Power Adaptable Frame, Heavy Duty Frame, 85° or 90° Front Angle Θ .).....\$100

XFW33 6"x1.5" LiteSpeed Billet Aluminum Wheel w/Soft Roll Tire Silver Hub OR Black Hub (Not available with 85° or 90° Front Angle Θ .).....\$225

XFW16 8"x1" Plastic Wheel w/Poly Tire (Not available with Power Assist, Power Add-on, Heavy Duty Frame or 12"-14" Seat Depths. Available with 70° Front Angle Θ only.).....NCO

FRONT FORKS

XFK1 TiLite Standard Fork.....STD

XGL1 Out-Front Glide™ Suspension Fork (Available in Black anodize only. Not available with 8" Front Wheels or Heavy Duty Frame).....\$485

Rider's Weight: 125 lbs. 125-180 lbs. 180-265 lbs. E1015

ONE ARM DRIVE

XOAD1 One Arm Drive (Available with 24" Mag Wheels only. Rear Seat Height, Camber or axle restrictions may apply.).....\$1,200

Drive Handrim Side (Available with standard aluminum handrim only.) Install on Left Install on Right E0958

STANDARD REAR WHEELS (See Rear Seat Height Ranges Chart on Page 2 for Rear Seat Height Θ limitations.)

XRW14 TiLite SHADOW™.....STD

22"(501)

24"(540)

25"(559) (Requires 15" minimum Seat Depth Θ .)

26"(590) (Requires 15" minimum Seat Depth Θ .)

PERFORMANCE REAR WHEELS (See Rear Seat Height Ranges Chart on Page 2 for Rear Seat Height Θ limitations.)

XRW7 Spinergy® SPOX Black Red Blue White.....\$845

22"(501) - Std. Hub

24"(540) - Std. Hub

25"(559) - Std. Hub (Requires 15" minimum Seat Depth Θ .)

26"(590) - Sport Hub (Requires 15" minimum Seat Depth Θ . Not available with Quad Release Axles.)

XRW8 Spinergy® LX (Available with Heavy Duty Frame only when 0 or 2 degree camber is selected.)

Black Red Blue White Bright Orange Flamingo Pink Purple.....\$1,060

22"(501) - Std. Hub

24"(540) - Std. Hub

25"(559) - Std. Hub (Requires 15" minimum Seat Depth Θ .)

26"(590) - Sport Hub (Requires 15" minimum Seat Depth Θ . Not available with Quad Release Axles.)

XRW16 Spinergy® Carbon Blade (Not available with Heavy Duty Frame.).....\$1,480

24"(540)

25"(559) (Requires 15" minimum Seat Depth Θ .)

XRW17 X-Core Mag (Not available with Heavy Duty Frame, Short Tabs, Quad Release Axles, Spoke Guards or Omit Handrims Option. Requires Aluminum Silver Anodized Handrims.).....NCO

22"(501)

24"(540)

AXLES

XAXL1 Stainless Quick Release.....STD

XAXL2 Titanium Quick Release.....\$255

XAXL3 Quad Release (Not available with Mag or 26"(590) Spinergy Spox or Spinergy LX Rear Wheels.).....\$155

TiLite AERO X Order Form

Effective July 6, 2019 (New Items in Red)

FOLDING FRAME

Page 5 of 7

CUSTOM CONFIGURATION OPTIONS

PNEUMATIC REAR TIRES

XRTR1	<input type="checkbox"/> Treaded (Not available with 25"(559) Rear Wheels.)	STD	
XRTR2	<input type="checkbox"/> Airless Inserts	\$90	E2213
XRTR3	<input type="checkbox"/> 25"(559) Primo Treaded (Standard with 25"(559) Rear Wheels.)	STD	
XRTR4	<input type="checkbox"/> Primo Slick	NCO	
XRTR30	<input type="checkbox"/> 24"(540), 25"(559) and 26"(590) Primo Sentinel	\$125	
XRTR8	<input type="checkbox"/> 24"(540), 25"(559) and 26"(590) Schwalbe® Marathon Plus Evolution	\$140	
XRTR9	<input type="checkbox"/> 24"(540) and 25"(559) Schwalbe® Slick	\$145	
XRTR24	<input type="checkbox"/> 24"(540) Kenda Kobra Knobby	\$95	

SOLID REAR TIRES

XRTR22	<input type="checkbox"/> 22"(501), 24"(540) and 25"(559) Primo Express (Not available with Spinergy Carbon Blade Rear Wheels.)	\$110
XRTR23	<input type="checkbox"/> 24"(540) and 25"(559) Primo Active	\$135

HANDRIMS

XRIM1	<input type="checkbox"/> Aluminum – Silver Anodized	STD
XRIM21	<input type="checkbox"/> Aluminum – Black Anodized	NCO
XRIM12	<input type="checkbox"/> Titanium – Satin Finish (Not available with 20"(451) or 22"(501) Rear Wheels, or 24"(540) Knobby tires.)	\$470

Handrims by OUT-FRONT®

XRIM10	<input type="checkbox"/> The Surge (All-In-One Oval with Gription™ Strip, Larger Profile)	\$400
XRIM11	<input type="checkbox"/> The Surge LT (All-In-One Oval with Gription™ Strip, Smaller Profile)	\$430
XRIM20	<input type="checkbox"/> Q-Grip (Exclusive High-Friction, Anti-Slip Coating)	\$330

The Natural-Fit® (Original, Larger Profile) (Not available with 20"(451) Rear Wheels.)

TRIM14	<input type="checkbox"/> Standard Grip (Not available with Short Tabs or Spinergy Carbon Blade Rear Wheels.)	\$395
TRIM15	<input type="checkbox"/> Super Grip (Not available with Short Tabs or Spinergy Carbon Blade Rear Wheels.)	\$430
TRIM16	<input type="checkbox"/> Without Thumb Grip	\$360

The Natural-Fit® LT (Reduced Weight, Smaller Profile) (Not available with 20"(451) Rear Wheels.)

TRIM17	<input type="checkbox"/> Standard Grip (Not available with Short Tabs or Spinergy Carbon Blade Rear Wheels.)	\$415
TRIM18	<input type="checkbox"/> Super Grip (Not available with Short Tabs or Spinergy Carbon Blade Rear Wheels.)	\$475
TRIM19	<input type="checkbox"/> Without Thumb Grip	\$390

Additional Handrim Options

XRIM5	<input type="checkbox"/> Plastic Coated – Black	\$160
XRIM22	<input type="checkbox"/> Omit Handrims	NCO

Tab Length

XRIM7	<input type="checkbox"/> Long Tabs	STD
XRIM8	<input type="checkbox"/> Short Tabs (Not available with Mag Rear Wheels or The Natural-Fit® Handrims with Thumb Grip.)	\$25

WHEEL LOCKS

Wheel Locks by OUT-FRONT® (Composite wheel locks not always compatible with 12"-13" Seat Depth. Uni-locks will be substituted at no charge.)

XWLK7	<input type="checkbox"/> Compact Composite Push to Lock	NCO	
XWLK8	<input type="checkbox"/> Compact Composite Pull to Lock	NCO	
XWLK10	<input type="checkbox"/> Extension Handles for Compact Composite Push/Pull to Lock	\$85	E0961
XWLK9	<input type="checkbox"/> Composite Scissor Lock (Not available on Aero X2 Swing Away.)	\$145	

Additional Wheel Locks

XWLK3	Uni-Lock Set At: <input type="checkbox"/> Push OR <input type="checkbox"/> Pull	\$165	
XWLK4	<input type="checkbox"/> Extension Handles for Uni-Lock	\$85	E0961
XWLK15	<input type="checkbox"/> Grade Aids Push to Lock (Not available with solid rear tires.)	\$175	E0974

BACK UPHOLSTERY (Want more seating options? [Click here](#) to view the new TiLite Seating Order Form.)

XBUP1	<input type="checkbox"/> Padded Nylon (Black Only. Not available with Heavy Duty Frame, Folding Back, Folding Stabilizer Bar, Depth Adjustable Frame, Fold-Down Push Handles or Ultrasuede Backrest Stripe.)	STD	
Tension Adjustable by Straps (Included with Heavy Duty Frame. Required with Aluminum Fendered Side Guards and Fold-Down Push Handles.)			
XBUP3	<input type="checkbox"/> Padded Nylon	\$340	E2611
XBUP5	<input type="checkbox"/> AIR Breathable Upholstery (Not available with Ultrasuede Backrest Stripe.)	\$340	E2611
XUPC3	Ultrasuede Backrest Stripe <input type="checkbox"/> Black (Not available with Padded Nylon or AIR Breathable Back Upholstery.)	\$105	
XBUP0	<input type="checkbox"/> Omit Back Upholstery	NCO	

SEAT UPHOLSTERY

XSUP4	<input type="checkbox"/> Tension Adjustable (Black only)	STD
XSUP0	<input type="checkbox"/> Omit Seat Upholstery	NCO

SEAT CUSHION (Want more seating options? [Click here](#) to view the new TiLite Seating Order Form.)

XCSH2	<input type="checkbox"/> Comfort Curve Cushion (Stretch-Air cover)	\$120	E2601
XCSH23	<input type="checkbox"/> Comfort Acta-Embrace™ Comfort-Tek Zero Elevation Cushion	\$360	E2607
XCSH14	<input type="checkbox"/> ROHO Hybrid Elite SR Single Compartment (Fits seat widths 14" to 19")	\$560	E2622
XCSH14	<input type="checkbox"/> ROHO Quadtro Select (Fits seat widths 14" to 19") Profile: <input type="checkbox"/> Low <input type="checkbox"/> Mid <input type="checkbox"/> High	\$525	E2624

TiLite AEROX Order Form

Effective July 6, 2019 (New Items in Red)

FOLDING FRAME

Page 6 of 7

CUSTOM CONFIGURATION OPTIONS

SIDE GUARDS

Aluminum

- XSDG2 Rigid Removable Small **OR** Std.....\$200
- XSDG3 Quad Removable w/Hole Small **OR** Std.....\$215
- XSDG6 Fendered Adjustable (Requires Tension Adjustable by Straps Back Upholstery. Not available with Angle-Adjustable Fold-Down Seat Backs.).....\$335

Carbon Fiber

- XSDG7 Rigid Removable Small **OR** Std.....\$310
- XSDG8 Quad Removable w/Hole Small **OR** Std.....\$320
- XSDG11 Fendered Adjustable (Requires Tension Adjustable by Straps Back Upholstery. Not available with Angle-Adjustable Fold-Down Seat Backs.).....\$565

ARMRESTS (Desk Arms come with built-in Side Guards.)

- XARM1 Swing Away Tubular (Not available with Heavy Duty Frame, Folding Stabilizer Bar with Short or Medium Seat Back Height ranges or Depth Adjustable Back.).....\$225 **E0973**
- 9" - 12" **OR** 12" - 15"
- XARM4 Swing Away - Flip Back Tubular (Not available with Heavy Duty Frame, Folding Stabilizer Bar or Depth Adjustable Back.).....\$315 **E0973**
- XARM2 Removable Height Adjustable DeskArm with Rigid Side Guard (Requires 14" minimum Seat Depth **ⓐ**).....\$335 **E0973**
- 9" to 12" **OR** 12" to 15"
- Standard Length Pad (10") **OR** Full Length Pad (14")
- XARM3 Removable Height Adjustable Desk Arm with Rigid Side Guard and Transfer Loop (Requires 16" minimum Seat Depth **ⓐ**).....\$375 **E0973**
- 9" to 12" **OR** 12" to 15"
- Standard Length Pad (10") **OR** Full Length Pad (14")
- XARM8 Standard 2-Point Flip-Back Height Adjustable Desk Arm With Rigid Side Guard.....\$295 **E0973**
- 9" to 12" **OR** 12" to 15"
- Standard Length Pad (10") **OR** Full Length Pad (14")
- XARM9 Standard 2-Point Flip-Back Height Adjustable Desk Arm With Rigid Side Guard and Transfer Loop.....\$335 **E0973**
- 9" to 12" **OR** 12" to 15"
- Standard Length Pad (10") **OR** Full Length Pad (14")

Available Armrest Option

- XARM5 Covered in Black Ultrasuede (Not available with Desk Arms).....\$110

SEAT BELTS

- XBLT1 Velcro Adjustable, Black Nylon Webbing.....\$55 **E0978**
- XBLT2 Bodypoint® 2" Push-Button Buckle (Auto-Style.).....\$95 **E0978**
- XBLT4 Bodypoint® 1" Wide Push-Button Buckle Padded (Auto-Style.) (Not available with 19" - 22" Rear Seat Widths **ⓐ**).....\$180 **E0978**
- XBLT5 Bodypoint® 1.5" Wide Push-Button Buckle Padded (Auto-Style.) (Not available with 19" - 22" Rear Seat Widths **ⓐ**).....\$170 **E0978**
- XBLT8 Q'Straint® WC-19 Wheelchair-Anchored Pelvic Belt (Recommended for use with Transit Tie Down.).....\$200 **E0978**
- XBL10 Bodypoint® Optional Band Clamp Mounting Hardware.....\$20 **K0108**
- XBLT16 Bodypoint® EvoFlex® Pelvic Stabilizer Push Button.....\$185 **E0978**

CALF STRAP

- XCLF2 Velcro Adjustable.....\$40 **K0038**
- Small (Recommended for 9" - 12" Footrest Widths)
- Medium (Recommended for 11" - 15" Footrest Widths)
- Large (Recommended for 14" - 17" Footrest Widths)
- Xtra Large (Recommended for 16" - 19" Footrest Widths)
- XCLF3 Bodypoint® Padded Velcro Adjustable.....\$100 **K0038**
- Medium (Recommended for 12" - 15" Footrest Widths)
- Large (Recommended for 16" - 20" Footrest Widths)
- XCLF1 Buckle Adjustable, Black Nylon Webbing.....\$30 **K0038**

RESIDUAL LIMB SUPPORT

- XRSL1 Residual Limb Support (8" width x 10" length).....\$395 **E1020**
- XRSL2 Residual Limb Support Pair (8" width x 10" length).....\$790 **E1020**

BACK PACK

- XBCK3 Black Permobil Back Pack.....\$95

SEAT POUCH

- XPCH3 Black Permobil Seat Pouch.....\$60
- XPCH4 Bodypoint® Mobility Bag.....\$100

SPOKE GUARDS

- XGRD1 Clear with TiMotion Logo (Not available with Mag Rear Wheels.).....\$135 **K0065**

TiLite AEROX Order Form

Effective July 6, 2019 (New Items in Red)

FOLDING FRAME

Page 7 of 7

CUSTOM CONFIGURATION OPTIONS

ANTI-TIPS

XTIP1	<input type="checkbox"/> Rear Aluminum - Black.....	\$160	E0971
XTIP2	<input type="checkbox"/> User Friendly Flip-up.....	\$335	E0971
XTIP9	<input type="checkbox"/> Tip Assist.....	\$105	E0971

ACCESSORIES

XUEST1	Upper Extremity Support Tray <input type="checkbox"/> 12" to 14" OR <input type="checkbox"/> 13" to 15" Seat Widths A (Requires Armrests.).....	\$290	E0950
XLUG1	<input type="checkbox"/> Luggage Carriers (Not available with High Mount Swing Away Footrests or 1-Piece Flip-up Footrest.).....	\$145	
XMPCT2	Neoprene Impact Guards with Ultrasuede Stripe (Not available with High Mount Footrests, 90° Hangers or Elevating Leg Rest.) <input type="checkbox"/> Black.....	\$105	
XCH1	<input type="checkbox"/> Crutch Holder.....	\$225	
XAFP1	4" Logo Patch <input type="checkbox"/> Army <input type="checkbox"/> Navy <input type="checkbox"/> Air Force <input type="checkbox"/> Marines.....	\$105	

GENERAL

More options and frame modifications may be available through our Creative Mobility Division! Please contact customer service for details or [click here](#) to view options.

Permobil manufactures TiLite manual wheelchairs in a wide variety of configurations to meet the varied needs of wheelchair users. The final selection of a particular model, its options and accessories, and its measurements rests solely with the wheelchair user and advising healthcare professional. These wheelchairs must be fitted by a qualified healthcare professional. HCPCS Codes are for reference purposes only. Actual coding and coverage varies by payer. Proper HCPCS coding is not a guarantee of payment. Please verify the appropriate payer's coverage policy.

Get the latest order forms at permobilus.com. Prices, standard features, options and accessories are subject to change without notice. All rights reserved. Trademarks are identified by symbols™ and ®. TiLite, TiFit, the TiLite logo, Ti, the Ti logo, and TiShaft are registered trademarks of TiSport, LLC and are licensed to Permobil. Permobil® is a registered trademark of Permobil. Adobe®, Acrobat®, Acrobat Professional® and Reader® are registered trademarks of Adobe Systems Inc. Bodypoint® is a registered trademark of Bodypoint Inc. Kenda® is a registered trademark of Kenda Rubber Industrial Co. Ltd. ROHO®, AGILITY®, Low Profile® and Quadro Select® are registered trademarks of ROHO Inc. Schwalbe® is a registered trademark of Ralf Bohle GmbH. The Natural-Fit® and Out-Front® are registered trademarks of Three Rivers Holdings, LLC. The ACTA-BACK®, ACTA-EMBRACE™, COMFORT-TEK™, COMPASS®, CURVE®, ELEMENTS®, and STRETCH AIR™ are registered trademarks of THE COMFORT COMPANY® and are licensed to Permobil. Q'Strain® is a registered trademark of Q'Strain Inc.

QUOTE THIS CHAIR

If you are using Adobe Acrobat, this order form may be converted into a quote request or into an order by clicking one of the buttons (this feature is available exclusively to Permobil dealers and distributors). A Quote or an Order Confirmation will be sent to you within 24 hours.

ORDER THIS CHAIR