

# TiLite ZR ZRA Order Form

Effective November 15, 2019 (New Items in Red)

MONO-TUBE RIGID FRAME

Page 1 of 8

DEALER INFORMATION		RTS INFORMATION	
Dealer:	Account #:	RTS:	Phone:
PO:	Ordered By:	Email:	
Email:		SHIP TO INFORMATION	
Mark For:	User Weight:	Name:	Ship Via:
TiLite Sales Rep:		Address:	
TiLite Information:	Promo Code:	City:	State: Zip:
Ship Date:	Order #:	Phone:	Fax:


More options and frame modifications may be available through our Creative Mobility Division! Please contact customer service for details or [click here](#) to view options.


Please Email or Fax to the Permobil Manual Customer Service Team at [tilitesales@permobil.com](mailto:tilitesales@permobil.com) or 866.586.2413 / 509.586.2413

**FRAME STYLE**

Z2FS2  **ZRA Titanium Frame** (Full Adjustability. 265 Pound Weight Limit. 150 Pound Weight Limit for Rear Seat Width **A** and Seat Depth **B** of 10"x10" to 12"x12". For Rear Seat Width **A** and Seat Depth **B** of 15" or greater, use K0005. For Rear Seat Width **A** and Seat Depth **B** of less than 15", use E1235.).....**\$4,050** K0005, E1235

Z2FS1  **ZR Titanium Frame Ultimate TiFIT** (Minimal Adjustability. 265 Pound Weight Limit. 150 Pound Weight Limit for Rear Seat Width **A** and Seat Depth **B** of 10"x10" to 12"x12". For Rear Seat Width **A** and Seat Depth **B** of 15" or greater, use K0005. For Rear Seat Width **A** and Seat Depth **B** of less than 15", use E1235.).....**\$435**

**SMARTDRIVE POWER ASSIST SYSTEM** 

 ZMAXSD1  Permobil Smart Drive MX2+ (SwitchControl comes standard. N/A with rear seat heights less than 13.5", or 20" rear wheels)....**\$7,131** E0986

ZMAXSD6  **NEW** PushTracker E2 **OR** ZMAXSD7  PushTracker.....**NCO**

ZMAXSD8  SwitchControl with Mono Jack Option.....**\$150**

ZMAXSD4  Carrying Bag.....**\$78**

**FRAME STYLE**

ZHDR1  **Heavy Duty Frame** (300 Pound Weight Limit. No charge when 20" Rear Seat Width **A** and 20" Seat Depth **B** are selected. Includes Tension Adjustable by Straps Back Upholstery. Requires Folding Aluminum Adjustable Height Backrest, Billet Aluminum Front Wheels, Shadow or Spinerdy SPOX Rear Wheels. LX Rear Wheels only available with 0 or 2 degree camber. Not available with Slipstream Fork, Velcro Adjustable Upholstery, Swing Away Tubular Armrest or Swing Away Flip Back Tubular Armrest.).....**\$435**

ZPWR1  **Power Adaptable Frame** (Not required for SmartDrive. No charge when 20" Rear Seat Width **A** and 20" Seat Depth **B** are selected. Requires LiteSpeed Billet Aluminum Front Wheels and 0 degree camber. Not available with Single-sided Forks, or Titanium Camber Tubes.).....**\$340**

ZRFR1  **Reinforced Frame** (No charge when 20" Rear Seat Width **A** and 20" **B** Seat Depth are selected.).....**\$340**

**TRANSIT OPTION**

ZTDO3  Transit Tie-Down (Tested to WC-19. Consists of four Tie-Down Brackets, two Pelvic Belt Mounting Brackets and Reinforced Frame. Please refer to the Aero Z and ZRA Transit Tie-Down Option Brochure for important information regarding the Transit Tie-Down Option. Not available with ZR.).....**\$335**

ZWTB  Transport Bracket Option (Consists of four Tie-Down Brackets. Unoccupied use only. Please refer to the ZR Transport Bracket Supplement for important information regarding the Transit Options).....**\$350**

**FRAME FINISHES**

ZFF1  Satin.....**STD**

ZSCBT1  Satin Finish Buffing Pads.....**\$20**

ZFF3  Tattooed Titanium™ and Aluminum (Tattoos on front frame tubes. Titanium frame finished in Satin. Aluminum frame is tattooed on blasted aluminum with a clear coat. Tattoos will be trimmed and adjusted to fit your frame.).....**\$335**

ZFF45  Need for Speed

ZFF44  Flower Garden

ZFF43  Mosaic

**High Gloss Paint**  ZFF8 Super Wet Black  ZFF10 TiLte Red  ZFF29 Neon Pink

**Metallic Paint**  ZFF14 Ocean Blue Metallic  ZFF15 Tangerine Metallic  ZFF30 Acid Green Metallic

**Pearlescent Paint**  ZFF17 Midnight Blue Pearl  ZFF18 White Pearl

**Matte Paint**  ZFF19 Black Lava  ZFF27 Titanium Grey

**Candy Paint**  ZFF22 Ruby Red  ZFF23 Azure Blue  ZFF25 Electric Plum

**Matte Textured Paint**  ZFF40 Hyper Blue  ZFF41 Flame Orange  ZFF42 OD Green.....**STD**

**COLOR ANODIZE PACKAGE**

(Color Anodize Package includes: Aluminum Camber Tube (Color Anodize not available with Power Adaptable Camber Tube), Camber Mount, Footrest Clamp, Caster Mount, Footrest Clamp, Caster Fork, Caster Cap and Agility Carbon Back clamps. If no anodize color is selected, the default will be black.)

ZANO1 Black.....**STD**

ZANO5 Sapphire  ZANO3 Red Pepper  ZANO6 Burnt Orange  ZANO8 Ultraviolet  ZANO9 Fuchsia....**\$170**



Permobil.com  
 2701 West Court Street | Pasco, Washington 99301  
 509.586.6117 Tel | 800.545.2266 Toll-Free  
 509.586.2413 Fax | 866.586.2413 Toll-Free Fax

# TiLite ZRA Order Form

**TiFit: TAILORED INDIVIDUALIZED FRAME**

**REAR SEAT WIDTH** **A** Measure from outside of seat tube at back post to the outside of the opposite seat tube at back post.

- ZSW1  10"  11"  12"  13"  14"  15"  16"  17"  18"  19".....**STD**  
 ZSW2  20" (HCPCS code only applies to 20" Rear Seat Width **A**).....**\$495**

**FRONT SEAT WIDTH (SEAT TAPER)** **I** Measure from inside of front frame tube to inside of opposite front frame tube. (Required with V-Front End **V**. Not Available with Standard Front End **I**.)

- ZFSW1  No Taper (2.5" Narrower than Rear Seat Width **A**).....**STD**  
 ZFSW3  1.5" Taper (4" Narrower than Rear Seat Width **A**. Includes Tension Adjustable by Straps Seat Upholstery. Not available with 10" and 11" Seat Widths **A**.).....**\$280**

**SEAT DEPTH** **B** Measure from front of back post to the front edge of seat sling. Frame bend will start .5" in front of seat sling unless Custom Frame Depth is specified, or the combination of specifications affect the rolling dynamics of the chair.

- ZSD1  10"  11"  12"  13"  14"  15"  16"  17"  18"  19".....**STD**  
 ZSD2  20".....**\$525**  
 ZSD3  Custom Frame Depth: \_\_\_\_\_" Frame Depth Longer or Shorter Than Seat Depth (Measure from front of seat sling to beginning of frame bend. Ranges from 0.5" to 2" and can be given as specific as 1/4" increments. A Custom Frame Depth outside specified range may be available through our Creative Mobility Division. A Custom Frame Depth of 20" will have an additional charge.).....**NCO**

**ERGONOMIC SEAT** **D** Measure from front of back post to beginning of upward bend of seat tube.

- ZERG1  ZR Ergonomic Seat (Not available with Tension Adjustable Bolt On Seat Upholstery)  
 5"  6"  7"  8"  9" .....**\$340**  
 ZERG2  ZRA Ergonomic Seat (Center of Gravity adjustment may be affected by this option. Custom Sideguards may be affected by this option. Not available with V-Front or Seat Taper, Seat Back that Locks When Folded, Desk Arms, Depth Adjustable Backrests, Fold Down Rigid Sideguards, Solid Seat, Tension Adjustable Bolt On Seat Upholstery, or the Curve Cushion.)  
 6" (Minimum Seat Depth **B** 10")  7" (Minimum Seat Depth **B** 12")  
 8" (Minimum Seat Depth **B** 13") .....**\$400**

**FRONT SEAT HEIGHT** **C** Measure from floor to top of seat tube at front edge of seat sling. ZRA adjusts up and down in .5" increments.

- ZFSH1  16"  16.5"  17"  17.5"  18"  18.5"  19"  19.5"  20"  20.5"  
 21" .....**STD**

**REAR SEAT HEIGHT** **D** Measure from floor to top of seat tube at back post.

Rear Wheel Size	Rear Seat Height
20"	12.5"-18.5"
22"	14.0"-19"
24"	14.5"-20"
25"	14.5"-20"
26"	15.5"-20"

- ZRSH1  12.5"  13"  13.5"  14"  14.5"  15"  15.5"  16"  16.5"  
 17"  17.5"  18"  18.5"  19"  19.5"  20".....**STD**

**FRONT ANGLE** **L** Measure from frame front to floor.

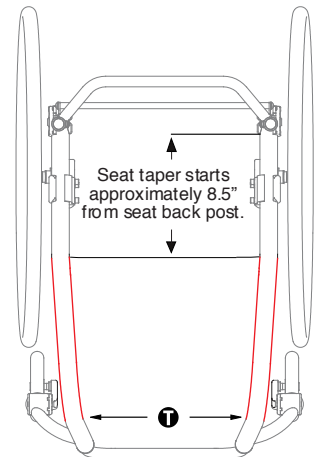
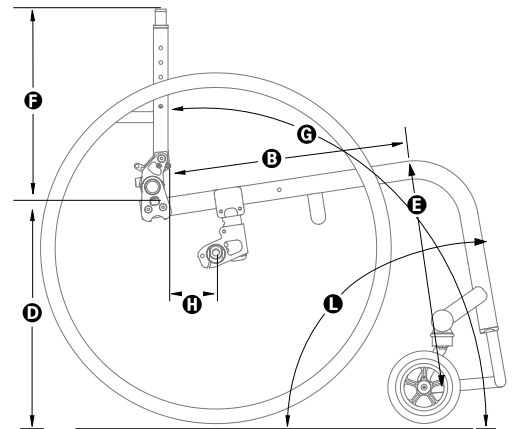
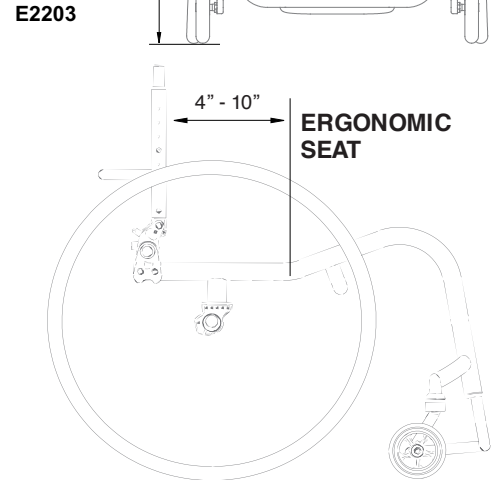
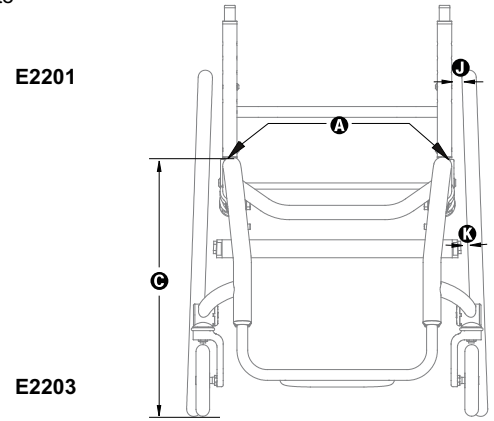
- ZFA1  70°  75°  80°  85° (Not available with 6" Front Wheels.)  90° (Not available with 5" or 6" Front Wheels.).....**STD**

**SEAT TO FOOTREST** **E**/FOOTRESTS Measure from front edge of seat sling to top rear of footrest.

**Standard Footrests** Measurement must be at least 2" shorter than Front Seat Height **C**.

- 13.5"  14"  14.5"  15"  15.5"  16"  16.5"  17"  17.5"  18"  
 18.5"  19"

- ZFTR3  Angle Adjustable Footrest.....**STD**  
 ZFTR1  Titanium Footrest w/Flat ABS Cover.....**\$200**  
 ZFTR2  Titanium Open Loop Footrest.....**\$255**  
 ZFTR12  Flip-Back Footrest (Not available with 10" or 11" Rear Seat Width **A** or Heavy Duty Frame.).....**\$255 K0040, K0045**



# TiLite ZRA Order Form

## TiFit: TAILORED INDIVIDUALIZED FRAME

### High Mount Footrest

7"-9"  9"-11"  11"-13" Set at \_\_\_\_\_ (Use 1/2" increments)

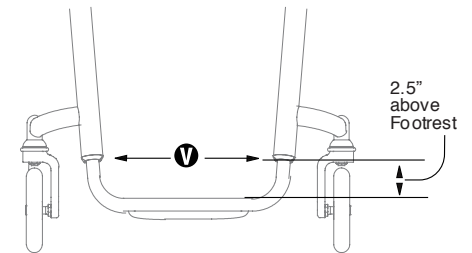
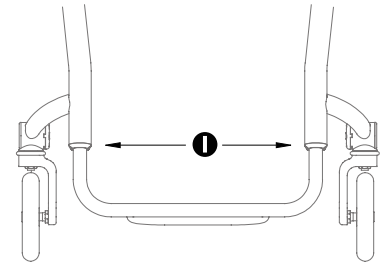
ZFTR4  Angle Adjustable High Mount Footrest.....\$100 K0040

**FOOTREST WIDTH** **I** or **V** Select either a Standard Front End **I** if no Seat Taper **I** is selected or a V-Front End **V** if a Seat Taper **I** is selected.

**STANDARD FRONT END I** Find your Rear Seat Width **A** in the Chart below and select one of the options to the right. Measure from inside of front frame tube to inside of opposite front frame tube. (Not available with Front Seat Width (Seat Taper) **I**.)

ZFE1  NO V-Front Taper (Required when both Heavy Duty Frame and Seat Taper **I** are selected.).....STD

REAR SEAT WIDTH <b>A</b> (Outside Measurement)	FOOTREST WIDTH <b>I</b>		
	No Taper (2.5" Narrower than Rear Seat Width)	1.5" Taper (4" Narrower than Rear Seat Width)	3.5" Taper (6" Narrower than Rear Seat Width)
10"	<input type="checkbox"/> 7.5"		
11"	<input type="checkbox"/> 8.5"		
12"	<input type="checkbox"/> 9.5"	<input type="checkbox"/> 8"	
13"	<input type="checkbox"/> 10.5"	<input type="checkbox"/> 9"	
14"	<input type="checkbox"/> 11.5"	<input type="checkbox"/> 10"	
15"	<input type="checkbox"/> 12.5"	<input type="checkbox"/> 11"	<input type="checkbox"/> 9"
16"	<input type="checkbox"/> 13.5"	<input type="checkbox"/> 12"	<input type="checkbox"/> 10"
17"	<input type="checkbox"/> 14.5"	<input type="checkbox"/> 13"	<input type="checkbox"/> 11"
18"	<input type="checkbox"/> 15.5"	<input type="checkbox"/> 14"	<input type="checkbox"/> 12"
19"	<input type="checkbox"/> 16.5"	<input type="checkbox"/> 15"	<input type="checkbox"/> 13"
20"	<input type="checkbox"/> 17.5"	<input type="checkbox"/> 16"	<input type="checkbox"/> 14"



OR

**V-FRONT END V** Measure from inside of front frame tube to inside of opposite front frame tube 2-1/2" above footrest. (Required with Front Seat Taper **I**. Titanium Footrests have 1" of adjustment up and down. Not available with Ergonomic Seat frames.)

ZFE2  V-Front Taper.....\$290

9"  10"  11"  12"  13"  14"  15"

## BACK SUPPORTS

SSH3 or COMFORT Install  Install Back OR  Do Not Install Back.....NCO

### ROHO® AGILITY® ACTIVE ALUMINUM BACK SUPPORT

Shell Height  8"  10"

BRS14  Min Contour AGILITY Active with Foam.....\$695 E2620

BRS15  Mid Contour AGILITY Active with Foam.....\$695 E2620

### ROHO® AGILITY® ACTIVE CARBON BACK SUPPORT

Shell Height  10"  13"  16"

Min Contour ROHO AGILITY Carbon Back with Foam w/ Air Insert

BRS7 Foam w/ Air Insert.....\$720 E2620

ACB1 AGILITY Active Carbon Upgrade (Not available with Bolt-on Push Handles).....\$370

Fixed Hardware.....NCO

Mid Contour ROHO AGILITY Carbon Back with Foam w/ Air Insert

BRS9 Foam w/ Air Insert.....\$720 E2620

ACB2 AGILITY Active Carbon Upgrade (Not available with Bolt-on Push Handles).....\$370

Fixed Hardware.....NCO

### COMFORT ACTA-EMBRACE™

Shell Height  10"  12"  14"  16"

SBR16  Acta-Embrace Back with 2-PT Quick Release Compass Hardware.....\$560 E2613

CPSB1  Comfort Privacy Shield.....\$40

### COMFORT ACTA-RELIEF

Shell Height  10"  12"  14"  16"

SBR13  Acta-Relief Back with 2-PT Quick Release Compass Hardware.....\$730 E2615

CPSB1  Comfort Privacy Shield.....\$40

### BACK UPHOLSTERY (Want more seating options? [Click here](#) to view the new TiLite Seating Order Form.)

ZBUP2  Velcro Adjustable (Not available with Fold-Down Push Handles.).....STD

**Tension Adjustable by Straps** (Required with Fold-Down Push Handles.)

ZBUP3  Padded Nylon.....\$340 E2611

ZBUP5  AIR Breathable Upholstery (Not available with Ultrasuede Backrest Stripe.).....\$340 E2611

ZUPC3 Ultrasuede Backrest Stripe  Black.....\$105

ZBUP0  Omit Back Upholstery.....NCO

# TiLite ZRA Order Form

**TiFit: TAILORED INDIVIDUALIZED FRAME**

**SEAT BACK TYPE/PUSH HANDLES/SEAT BACK HEIGHT** **F** Measure from top of back post to top of seat tube at rear of frame.

- ZSB1  Folding Aluminum Adjustable Height w/Precision Lock Back (Required for Heavy Duty Frame.).....**STD**
- ZSB2  Folding Titanium Adjustable Height w/Precision Lock Back and Rounded Rigidizer Bar (Titanium back will match Frame Finish. Not available with Bolt-On Push Handles.).....**\$255**
- ZSB15  Non-Folding, Fixed Height Titanium with New Rounded Rigidizer Bar (Not Available with Aero Z, ZRA or Transport Brackets. Titanium back will match Frame Finish.).....**\$290**

**TISHAFT™ BACK RELEASE BARS** (Not available with Non-Folding, Fixed Height Titanium Back.)

- ZSB3  Aluminum.....**STD**
- ZSB5  Carbon Fiber.....**\$75**

**PUSH HANDLES**

- ZSB6  Integrated Push Handles.....**NCO**
- ZSB7  Integrated Fold-Down Push Handles (Requires Tension Adjustable by Straps Back Upholstery.).....**\$115**
- ZSB8  Bolt-On Push Handles (Includes 4" Deep Backrest Rigidizer Bar. Not available with Ti Back.).....**\$200**
- ZSB9  Bolt-On Height-Adjustable Push Handles (Includes 4" Deep Backrest Rigidizer Bar. Not available with Ti Back.).....**\$335**

**FOLDING SEAT BACK HEIGHT** **F** (ZSB1 and ZSB2)

Push Handles (Selected Above)	Short	Medium	Tall	Set at: (Use 1/2" increments)
None/ Bolt-On	<input type="checkbox"/> 9.5"-12.5"	<input type="checkbox"/> 13"-17.5"	<input type="checkbox"/> 17"-21.5"	Set at: _____
Integrated	<input type="checkbox"/> 11.5"-13.5"	<input type="checkbox"/> 14.5"-17.5"	<input type="checkbox"/> 18.5"-21.5"	Set at: _____
Integrated Fold-Down	<input type="checkbox"/> 14"-16"	<input type="checkbox"/> 15.5"-19.5"	<input type="checkbox"/> 19.5"-22"	Set at: _____

**NON-FOLDING, FIXED-HEIGHT** **F** **TITANIUM SEAT BACK** with New Rounded Rigidizer Bar (ZSB15) (Titanium back will match Frame Finish. Required for fixed Side Guards. Not available with ZRA, Swing Away Tubular or Swing Away - Flip Back Tubular Armrests and Integrated Push Handles, Integrated Fold-Down Push Handles or Bolt-On Height Adjustable Push Handles.)

- 8"  8.5"  9"  9.5"  10"  10.5"  11"  11.5"  12"  12.5"  13"  13.5"  14"  14.5"  15"  15.5"
- 16"  16.5"  17"  17.5"  18"  18.5"  19"  19.5"  20"

**AVAILABLE ON ALL BACKS**

- ZSB11  Backrest that Locks when Folded (Not available with Ergonomic Seat.).....**STD**
- ZSB12  4" Deep Backrest Rigidizer Bar (Required with Heavy Duty Frame. Not available with a Non-Folding, Fixed Height Titanium Seat Back Type. 4" Deep Rigidizer Bar is NOT a rounded style rigidizer bar.).....**NCO**
- ZSB16  Depth Adjustable Back/Frame (Seat Depths **B** of 10"-18" allow 2" of rearward adjustment. Height Adjustable Push Handles have a limited height range with Depth Adjustable Back. Not Available with 19" or 20" Seat Depths **B**, Heavy Duty Frame, Tension Adjustable By Straps Seat Upholstery or Carbon Fiber Side Guards.).....**NCO**

**SEAT BACK ANGLE** **G** Measure angle from front of back post to floor.

- ZSBA1 **Folding Back**  
 80°  83°  86°  89°  92°  95°  98°  101°.....**STD**
- ZSBA1 **Non-Folding Back**  
 80°  81°  82°  83°  84°  85°  86°  87°  88°  89°  90°  91°  92°  93°  94°  95°  96°  
 97°  98°  99°  100°  101°.....**NCO**

**CENTER OF GRAVITY** **H** Measure from front of back post at the seat tube to the center of the rear axle. If no center of gravity is selected, chair will ship with the center of gravity in the rearward-most position.

- ZCOG1  0"  0.25"  0.5"  0.75"  1"  1.25"  1.5"  1.75"  2"  2.25"  2.5"  2.75"  3"  3.25"  3.5"  3.75"  4"  4.25"  4.5"  4.75"  5".....**STD**

**REAR WHEEL SPACING** **I**/**PLUGS** Measure from outside of seat back post to inside of rear tire. ZRA 0.75" Rear Wheel Spacing not available with 0° or 2° Camber **J**. Ergonomic Seat selection may limit available center of gravity.

- ZRWS1  .75"  1"  1.25".....**STD**
- ZCBR12  Adjustable Rear Wheel Spacing Camber Plugs (Not available with Power Adaptable Frame.).....**STD**
- ZCBR9  Additional Spacers to Increase Rear Wheel Spacing.....**NCO**
- ZCBR11  Zero Play Aluminum Camber Plugs (Not available with Power Adaptable Frame or more than 6° of Camber **J**.).....**NCO**

**SEAT UPHOLSTERY**

- ZSUP1  Tension Adjustable Bolt On (Not available with Ergonomic Seat or Tapered Seat **I**. Black only.).....**STD**
- ZSUP2  Tension Adjustable by Straps (Standard with Ergonomic Seat and Front Seat Width (Seat Taper) **I** of 1", 2" or 3". Black upholstery only.).....**\$185**
- ZSUP8  Aluminum Solid Seat (Not available with 10" or 11" Rear Seat Width **A** or Ergonomic Seat **I**.).....**\$285**
- ZSUPO  Omit Seat.....**NCO**

E2231

**SEAT CUSHION** (Want more seating options? [Click here](#) to view the new TiLite Seating Order Form.)

- ZCSH2  Comfort Curve Cushion (Stretch-Air cover).....**\$120** **E2601**
- ZCSH23  Comfort Acta-Embrace™ Comfort-Tek Zero Elevation Cushion.....**\$360** **E2607**
- ZCSH11  ROHO Single Compartment (Fits seat widths 14" to 19") Profile:  Low  Mid  High.....**\$525** **E2622**
- ZCSH14  ROHO Quadtro Select (Fits seat widths 14" to 19") Profile:  Low  Mid  High.....**\$525** **E2624**

# TiLite ZR ZRA Order Form



Effective November 15, 2019 (New Items in Red)

MONO-TUBE RIGID FRAME

Page 5 of 8

## CUSTOM CONFIGURATION OPTIONS

### CAMBER /CAMBER TUBES

ZCBR1	<input type="checkbox"/> 0° <input type="checkbox"/> 2° <input type="checkbox"/> 4° <input type="checkbox"/> 6° (More than 0° of Camber  is not available with the Power Adaptable Frame. 8° of Camber may be available through our Creative Mobility Division.)	STD
ZCBR15	<input type="checkbox"/> Aluminum Camber Tube	STD
ZCBR6	<input type="checkbox"/> Carbon Fiber Camber Tube (Not available with 6° of Camber  and seat widths greater than 18")	\$240
ZCBR3	<input type="checkbox"/> Titanium Camber Tube (Not available with Power Adaptable Frame.)	\$200



### FRONT WHEELS

ZFW24	<input type="checkbox"/> 3"x1.5" LiteSpeed Billet Aluminum Wheel w/Soft Roll Tire <input type="checkbox"/> Silver Hub <b>OR</b> <input type="checkbox"/> Black Hub	\$190
ZFW14	<input type="checkbox"/> 4"x1.75" Plastic Wheel w/Poly Tire (Not available with Slipstream Fork or Power Adaptable Frame.)	NCO
ZFW3	<input type="checkbox"/> 4"x.75" Light-Up Micro-Caster (Not available with Slipstream Fork or Power Adaptable Frame.)	\$80
ZFW26	<input type="checkbox"/> 4"x1.5" LiteSpeed Plastic Wheel w/Soft Roll Tire (Not available with Power Assist, Power Add-on System or Heavy Duty Frame.)	\$95
ZFW27	<input type="checkbox"/> 4"x1.5" LiteSpeed Billet Aluminum Wheel w/Soft Roll Tire <input type="checkbox"/> Silver Hub <b>OR</b> <input type="checkbox"/> Black Hub	\$200
ZFW6	<input type="checkbox"/> 5"x1" Plastic Wheel w/Poly Tire (Not available with 90° Front Angle  , Slipstream Fork or Power Adaptable Frame.)	NCO
ZFW28	<input type="checkbox"/> 5"x1.5" LiteSpeed Plastic Wheel w/Soft Roll Tire (Not available with 90° Front Angle  or Power Adaptable Frame.)	\$95
ZFW30	<input type="checkbox"/> 5"x1.5" LiteSpeed Billet Aluminum Wheel w/Soft Roll Tire <input type="checkbox"/> Silver Hub <b>OR</b> <input type="checkbox"/> Black Hub (Not available with 90° Front Angle  )	\$215
ZFW9	<input type="checkbox"/> 6"x1" Plastic Wheel w/Poly Tire (Not available with 85° or 90° Front Angle  , Slipstream Fork or Power Adaptable Frame.)	NCO
ZFW32	<input type="checkbox"/> 6"x1.5" LiteSpeed Plastic Wheel w/Soft Roll Tire (Not available with 85° or 90° Front Angle  , Slipstream Fork or Power Adaptable Frame.)	\$100
ZFW33	<input type="checkbox"/> 6"x1.5" LiteSpeed Billet Aluminum Wheel w/Soft Roll Tire <input type="checkbox"/> Silver Hub <b>OR</b> <input type="checkbox"/> Black Hub (Not available with 85° or 90° Front Angle  )	\$225

### PRECISION LOCK FRONT FORKS

ZFK1	<input type="checkbox"/> TiLite Standard Fork	STD
ZFK2	<input type="checkbox"/> TiLite Slipstream Single-Sided Fork (Not available with Heavy Duty Frame or Power Adaptable Frame.)	\$170
ZGL1	<input type="checkbox"/> Out-Front Glide™ Suspension Fork (Black anodize only. Not available with Heavy Duty Frame.)	\$485
	Rider's Weight: <input type="checkbox"/> 125 lbs. <input type="checkbox"/> 125-180 lbs. <input type="checkbox"/> 180-265 lbs.	E1015
ZTFS1	<input type="checkbox"/> Titanium Fork Stem	\$60

### STANDARD REAR WHEELS (See Rear Seat Height Ranges Chart for Rear Seat Height limitations.)

ZRW14	TiLite SHADOW™	STD
	<input type="checkbox"/> 20"(451)	
	<input type="checkbox"/> 22"(501)	
	<input type="checkbox"/> 24"(540)	
	<input type="checkbox"/> 25"(559) (Requires 15" minimum Seat Depth  )	
	<input type="checkbox"/> 26"(590) (Requires 15" minimum Seat Depth  )	

### PERFORMANCE REAR WHEELS (See Rear Seat Height Ranges Chart for Rear Seat Height limitations.)

ZRW7	Spinergy® SPOX <input type="checkbox"/> Black <input type="checkbox"/> Red <input type="checkbox"/> Blue <input type="checkbox"/> White	\$845
	<input type="checkbox"/> 22"(501) - Std. Hub	
	<input type="checkbox"/> 24"(540) - Std. Hub	
	<input type="checkbox"/> 25"(559) - Std. Hub (Requires 15" minimum Seat Depth  )	
	<input type="checkbox"/> 26"(590) - Sport Hub (Requires 15" minimum Seat Depth  , Not available with Quad Release Axles.)	
ZRW8	Spinergy® LX <input type="checkbox"/> Black <input type="checkbox"/> Red <input type="checkbox"/> Blue <input type="checkbox"/> White <input type="checkbox"/> Bright Orange <input type="checkbox"/> Flamingo Pink <input type="checkbox"/> Purple	\$1,060
	<input type="checkbox"/> 22"(501) - Std. Hub	
	<input type="checkbox"/> 24"(540) - Std. Hub	
	<input type="checkbox"/> 25"(559) - Std. Hub (Requires 15" minimum Seat Depth  )	
	<input type="checkbox"/> 26"(590) - Sport Hub (Requires 15" minimum Seat Depth  , Not available with Quad Release Axles.)	
ZRW16	Spinergy® Carbon Blade (Not available with Heavy Duty Frame, Natural-Fit or Natural-Fit LT with Standard Grip or Super Grip.)	\$1,480
	<input type="checkbox"/> 24"(540)	
	<input type="checkbox"/> 25"(559) (Requires 15" minimum Seat Depth  )	
ZRW17	X-Core Mag (Not available with Heavy Duty Frame, Short Tabs, Quad Release Axles, Spoke Guards or Omit Handrims Option. Requires Aluminum Sliver Anodized Handrims.)	\$60
	<input type="checkbox"/> 20"(451)	
	<input type="checkbox"/> 22"(501)	
	<input type="checkbox"/> 24"(540)	

### AXLES

ZAXL1	<input type="checkbox"/> Stainless Quick Release	STD
ZAXL2	<input type="checkbox"/> Titanium Quick Release	\$255
ZAXL3	<input type="checkbox"/> Quad Release (Not available with Mag or 26"(590) Spinergy Spox or LX Rear Wheels.)	\$155

# TiLite ZR ZRA Order Form

Effective November 15, 2019 (New Items in Red)

MONO-TUBE RIGID FRAME

Page 6 of 8

## CUSTOM CONFIGURATION OPTIONS

### PNEUMATIC REAR TIRES

ZRTR1	<input type="checkbox"/> Treaded (Not available with 25"(559) or 20" (451) Rear Wheels.)	STD	
ZRTR2	<input type="checkbox"/> Airless Inserts (Not available with Spinergy Carbon Blade Rear Wheels.)	\$90	E2213
ZRTR3	<input type="checkbox"/> 25"(559) Primo Treaded (Standard with 25"(559) Rear Wheels.)	STD	
ZRTR4	<input type="checkbox"/> Primo Slick	NCO	
ZRTR30	<input type="checkbox"/> 24"(540), 25"(559) and 26"(590) Primo Sentinel	\$125	
ZRTR8	<input type="checkbox"/> 24"(540), 25"(559) and 26"(590) Schwalbe® Marathon Plus Evolution	\$140	
ZRTR9	<input type="checkbox"/> 24"(540) and 25"(559) Schwalbe® Slick	\$145	
ZRTR24	<input type="checkbox"/> 24"(540) Kenda® Kobra Knobby	\$95	

### SOLID REAR TIRES (Not available with Spinergy Carbon Blade Rear Wheels.)

ZRTR22	<input type="checkbox"/> 20"(451), 22"(501), 24"(540) and 25"(559) Primo Express	\$110
ZRTR23	<input type="checkbox"/> 24"(540) and 25"(559) Primo Active	\$135

### HANDRIMS

#### Handrims by OUT-FRONT®

ZRIM1	<input type="checkbox"/> Aluminum – Silver Anodized	STD
ZRIM21	<input type="checkbox"/> Aluminum – Black Anodized (Not available with 20"(451) Rear Wheels.)	NCO
ZRIM12	<input type="checkbox"/> Titanium – Satin Finish (Not available with 20"(451) or 22"(501) Rear Wheels, or 24"(540) Knobby tires.)	\$470
ZRIM10	<input type="checkbox"/> The Surge (All-In-One Oval with Gription™ Strip, Larger Profile) (Not available with 20"(451) Rear Wheels.)	\$400
ZRIM11	<input type="checkbox"/> The Surge LT (All-In-One Oval with Gription™ Strip, Smaller Profile) (Not available with 20"(451) Rear Wheels.)	\$430
ZRIM20	<input type="checkbox"/> Q-Grip (Exclusive High-Friction, Anti-Slip Coating) (Not available with 20"(451) Rear Wheels.)	\$330

#### The Natural-Fit® (Original, Larger Profile) (Not available with 20"(451) Rear Wheels.)

ZRIM14	<input type="checkbox"/> Standard Grip (Not available with Short Tabs or Spinergy Carbon Blade Rear Wheels.)	\$395
ZRIM15	<input type="checkbox"/> Super Grip (Not available with Short Tabs or Spinergy Carbon Blade Rear Wheels.)	\$430
ZRIM16	<input type="checkbox"/> Without Thumb Grip	\$360

#### The Natural-Fit® LT (Reduced Weight, Smaller Profile) (Not available with 20"(451) Rear Wheels.)

ZRIM17	<input type="checkbox"/> Standard Grip (Not available with Short Tabs or Spinergy Carbon Blade Rear Wheels.)	\$415
ZRIM18	<input type="checkbox"/> Super Grip (Not available with Short Tabs or Spinergy Carbon Blade Rear Wheels.)	\$475
ZRIM19	<input type="checkbox"/> Without Thumb Grip	\$390

#### Additional Handrim Options

ZRIM5	<input type="checkbox"/> Plastic Coated – Black	\$160
ZRIM22	<input type="checkbox"/> Omit Handrims	NCO

#### Tab Length

ZRIM7	<input type="checkbox"/> Long Tabs	STD
ZRIM8	<input type="checkbox"/> Short Tabs (Not available with Mag Rear Wheels or The Natural-Fit Handrims with Thumb Grip.)	\$25

### WHEEL LOCKS

#### Wheel Locks by OUT-FRONT®

ZWLK7	<input type="checkbox"/> Compact Composite Push to Lock (Available with .75" to 1.5" Rear Wheel Spacing ① only.)	NCO	
ZWLK8	<input type="checkbox"/> Compact Composite Pull to Lock (Available with .75" to 1.5" Rear Wheel Spacing ① only.)	NCO	
ZWLK10	<input type="checkbox"/> Extension Handles for Compact Composite Push/Pull to Lock	\$85	E0961
ZWLK9	<input type="checkbox"/> Composite Scissor Lock	\$145	

#### Additional Wheel Locks

ZWLK3	Uni-Lock Set At: <input type="checkbox"/> Push <b>OR</b> <input type="checkbox"/> Pull	\$165	
ZWLK4	<input type="checkbox"/> Extension Handles for Uni-Lock	\$85	E0961
ZWLK15	<input type="checkbox"/> Grade Aids Push to Lock (Not available with solid rear tires)	\$175	E0974

### SIDE GUARDS

#### Aluminum

ZSDG2	<input type="checkbox"/> Rigid Removable	<input type="checkbox"/> Small <b>OR</b> <input type="checkbox"/> Std	\$200
ZSDG3	<input type="checkbox"/> Quad Removable w/Hole	<input type="checkbox"/> Small <b>OR</b> <input type="checkbox"/> Std	\$215
ZSDG4	<input type="checkbox"/> Fold Down Rigid	<input type="checkbox"/> Small <b>OR</b> <input type="checkbox"/> Std (Not available with Ergonomic Seat.)	\$335
ZSDG6	<input type="checkbox"/> Fendered Adjustable (Available with 24" and 25" Rear Wheels. Requires Rear Seat Height ② of 14.5" to 18.5").		\$335

#### Carbon Fiber

ZSDG7	<input type="checkbox"/> Rigid Removable	<input type="checkbox"/> Small <b>OR</b> <input type="checkbox"/> Std	\$310
ZSDG8	<input type="checkbox"/> Quad Removable w/Hole	<input type="checkbox"/> Small <b>OR</b> <input type="checkbox"/> Std	\$320
ZSDG9	<input type="checkbox"/> Fold Down Rigid	<input type="checkbox"/> Small <b>OR</b> <input type="checkbox"/> Std (Not available with Ergonomic Seat.)	\$460
ZSDG11	<input type="checkbox"/> Fendered Adjustable (Available with 24" and 25" Rear Wheels. Requires Rear Seat Height ② of 14.5" to 18.5").		\$565

ZSDG12	<input type="checkbox"/> <b>NEW</b> Fendered Removable		\$455
--------	--	--	-------

#### Available on Aluminum and Carbon Fiber Non-Fendered Side Guards

ZSDG13	<input type="checkbox"/> Side Guards Custom Cut to Profile of Rear Wheels	\$315
--------	---	-------

# TiLite ZRA Order Form

Effective November 15, 2019 (New Items in Red)

MONO-TUBE RIGID FRAME

Page 7 of 8

## CUSTOM CONFIGURATION OPTIONS

### ARMRESTS (Desk Arms come with built-in Side Guards.)

#### Tubular Armrests

ZARM1 Swing Away Tubular  6.5" to 9.5" **OR**  9.5" to 12.5" (Not Available with Heavy Duty Frame or Height Adjustable Push Handles.).....\$225 E0973

ZARM6  Swing Away Fixed Height - Flip Back Tubular (Not Available with Heavy Duty Frame.).....NCO

ZARM4  Swing Away Height Adjustable 8.5" to 11.5" - Flip Back Tubular (Not Available with Heavy Duty Frame.).....\$315 E0973

#### Single Post Desk Arms

ZARM2 Removable Height Adjustable Desk Arm with Rigid Side Guard (Requires 14" minimum Seat Depth **Ⓢ**. Not available with Ergonomic Seat.).....\$335 E0973

9" to 12" **OR**  12" to 15"

Standard Length Pad (10") **OR**  Full Length Pad (14")

ZARM3 Removable Height Adjustable Desk Arm with Rigid Side Guard and Transfer Loop (Requires 15" minimum Seat Depth **Ⓢ**. Not Available with Ergonomic Seat.).....\$375 E0973

9" to 12" **OR**  12" to 15"

Standard Length Pad (10") **OR**  Full Length Pad (14")

#### Available Armrest Option

ZARM5  Covered in Black Ultrasuede (Not available with Desk Arms).....\$110

### SEAT BELTS

ZBLT1  Velcro Adjustable, Black Nylon Webbing.....\$55 E0978

ZBLT2  Bodypoint® 2" Push-Button Buckle (Auto-Style.).....\$95 E0978

ZBLT4  Bodypoint® 1" Wide Push-Button Buckle Padded (Auto-Style.) (Not available with 19" or 20" Rear Seat Widths **Ⓐ**.).....\$180 E0978

ZBLT5  Bodypoint® 1.5" Wide Push-Button Buckle Padded (Auto-Style.) (Not available with 19" or 20" Rear Seat Widths **Ⓐ**.).....\$170 E0978

ZBLT8  Q'Straint® WC-19 Wheelchair-Anchored Pelvic Belt (Recommended for use with Transit Tie Down. Not Available with ZR.).....\$200 E0978

ZBLT10  Bodypoint® Optional Band Clamp Mounting Hardware.....\$20 K0108

ZBLT16  Bodypoint® EvoFlex® Pelvic Stabilizer Push Button.....\$185 E0978

### CALF STRAP

ZCLF2 Velcro Adjustable.....\$40 K0038

Small (Recommended for 9" - 12" Footrest Widths.)

Medium (Recommended for 11" - 15" Footrest Widths.)

Large (Recommended for 14" - 17" Footrest Widths.)

Xtra Large (Recommended for 16" - 19" Footrest Widths.)

ZCLF3 Bodypoint® Padded Velcro Adjustable.....\$100 K0038

Small (Recommended for 8" - 11" Footrest Widths.)

Medium (Recommended for 11" - 15" Footrest Widths.)

Large (Recommended for 16" - 19" Footrest Widths.)

ZCLF1  Buckle Adjustable, Black Nylon Webbing.....\$30 K0038

### RESIDUAL LIMB SUPPORT

ZRSL1  Residual Limb Support  Left **OR**  Right (8" width x 10" length).....\$395 E1020

ZRSL2  Residual Limb Support Pair (8" width x 10" length).....\$790 E1020

### BACKPACK

ZBCK3  Permobil Medical Necessities Backpack.....\$95

### SEAT POUCH

ZPCH3  Permobil Medical Necessities Seat Pouch.....\$60

ZPCH4  Bodypoint® Mobility Bag.....\$100

### SPOKE GUARDS

ZGRD1  Clear Lexan with TiMotion Logo (Not available with Mag Rear Wheels.).....\$135 K0065

### ANTI-TIPS

ZTIP1  Rear Aluminum - Black.....\$160 E0971

ZTIP2  User Friendly Flip-up (Not available with Frog Legs® Rear Suspension.).....\$335 E0971

### ACCESSORIES

ZUEST1 Upper Extremity Support Tray  12" to 14" **OR**  13" to 15" Seat Widths **Ⓐ** (Requires Armrests.).....\$290 E0950

ZLUG1  Luggage Carriers.....\$145

ZMPCT2 Neoprene Impact Guards with Ultrasuede Stripe  Black.....\$105

ZCH1  Crutch Holder.....\$225 E2207

ZAFP1 4" Logo Patch  Army  Navy  Air Force  Marines.....\$105

# TiLite ZR ZRA Order Form

Effective November 15, 2019 (New Items in Red)

MONO-TUBE RIGID FRAME

Page 8 of 8

## GENERAL

More options and frame modifications may be available through our Creative Mobility Division! Please contact customer service for details or [click here](#) to view options.

Permobil manufactures TiLite manual wheelchairs in a wide variety of configurations to meet the varied needs of wheelchair users. The final selection of a particular model, its options and accessories, and its measurements rests solely with the wheelchair user and advising healthcare professional. These wheelchairs must be fitted by a qualified healthcare professional. HCPCS Codes are for reference purposes only. Actual coding and coverage varies by payer. Proper HCPCS coding is not a guarantee of payment. Please verify the appropriate payer's coverage policy.

**Get the latest order forms at permobilus.com.** Prices, standard features, options and accessories are subject to change without notice. All rights reserved. Trademarks are identified by symbols™ and ©. TiLite, TiFit, the TiLite logo, Ti, the Ti logo, and TiShaft are registered trademarks of TiSport, LLC and are licensed to Permobil. Permobil® is a registered trademark of Permobil. Adobe®, Acrobat®, Acrobat Professional® and Reader® are registered trademarks of Adobe Systems Inc. Bodypoint® is a registered trademark of Bodypoint Inc. Kenda® is a registered trademark of Kenda Rubber Industrial Co. Ltd. ROHO®, AGILITY®, Low Profile® and Quadro Select® are registered trademarks of ROHO Inc. Schwalbe® is a registered trademark of Ralf Bohle GmbH. The Natural-Fit® and Out-Front® are registered trademarks of Three Rivers Holdings, LLC. The ACTA-BACK®, ACTA-EMBRACE™, COMFORT-TEK™, COMPASS®, CURVE®, ELEMENTS®, and STRETCH AIR™ are registered trademarks of THE COMFORT COMPANY® and are licensed to Permobil. Q'Straint® is a registered trademark of Q'Straint Inc.

## NOTES

**QUOTE THIS CHAIR**

If you are using Adobe Acrobat, this order form may be converted into a quote request or into an order by clicking one of the buttons (this feature is available exclusively to Permobil dealers and distributors). A Quote or an Order Confirmation will be sent to you within 24 hours.

**ORDER THIS CHAIR**